

DS2000 PC Card Instructions for Backup, Restore, and Software Upgrade

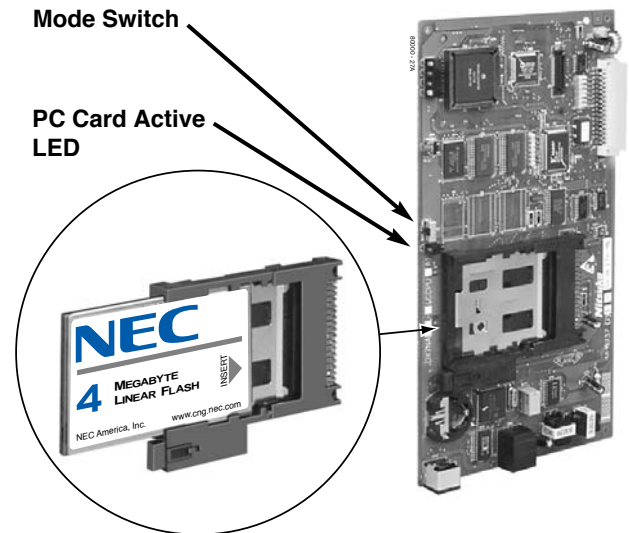
Use PC Card P/N 85880 to back up and restore your site data. Use PC Card P/N 80051-V**.** to load or update your system's software. (Note that **.**. denotes the level of the system software loaded on PC Card P/N 80051.)

**PC Card P/N 80051 is a system software PC Card only.
You cannot use it to back up and restore site data.**

Backing Up Site Data

To use PC Card P/N 85880 to back up site data:

1. Insert PC Card P/N 85880 into the CPU (see the figure at right).
2. Be sure the CPU mode switch is set to **RUN**.
3. Enter the programming mode.
ICM + ### + 372000 + HOLD*
4. Dial 9906 + HOLD.
You see: START?
To quit program 9906 instead of going to the next step, dial N + HOLD.
5. Dial Y + HOLD.
You see: 9906: DATABASE NAME
6. Enter a name for the database you want to save (up to 10 characters long).
Refer to Name Programming at right if you need help when entering names.
Skip this step if you want to save data in an address that already has a name assigned.
7. When you are done entering the name, press HOLD.
You see the name and date of the first database stored.
If no databases are stored, you see: 9906: DB00 (empty)
8. The system assigns the name you entered in step 7 to the address you select below:
Press VOL ▲ or VOL ▼ to scroll through the 16 data base addresses (DB 00 through DB 15).
OR
Skip this step to select the currently displayed data base.
9. Press HOLD.
Normally, you see 9906: SAVING
The PC Card Active LED is on during backup.
If the address you choose already has data stored in it, you see: REPLACE DB nn Y/N.
- Press N + HOLD to back up to step 5.
- Press Y + HOLD to proceed.
You automatically exit programming when the backup completes.



Name Programming									
Press a key the indicated number of times for desired character									
Key	1 Time	2 Times	3 Times	4 Times	5 Times	6 Times	7 Times	8 Times	9 Times
1	&	-	/	'	!				
2	A	B	C	a	b	c	2		
3	D	E	F	d	e	f	3		
4	G	H	I	g	h	i	4		
5	J	K	L	j	k	l	5		
6	M	N	O	m	n	o	6		
7	P	Q	R	S	p	q	r	s	7
8	T	U	V	t	u	v	8		
9	W	X	Y	Z	w	x	y	z	9
0	space	:	0						
#	Not used								
*	Not used								
After selecting a letter, press a key for another letter or wait 2 seconds for the cursor to automatically advance.									
Additional Name Programming Options									
HOLD	Save name. In system programming, HOLD saves and exits name programming.								
CONF	Exit name programming without saving name.								
VOL Up	Scroll the cursor to the left.								
VOL Dn	Scroll the cursor to the right.								
MW	Put the cursor after the last entry.								
LND	Delete the character under the cursor.								
FLASH	Delete the character to the right of the cursor.								
CLEAR	Clear the entire entry.								
CHECK	Restore the previous entry.								

Continued

Loading System Software

To use PC Card P/N 80051 to load or update system software:

When you load system software from the PC card, the system restarts with all the factory-installed default values. All your prior programmed entries are erased.

1. Insert the PC Card P/N 80051 into the CPU.
2. Be sure the CPU mode switch is set to **BOOT**.
3. Press the reset switch on the CPU to reset the system.
The LEDs on the CPU will start to cycle.
After about 1 minute, the system will restart with the new software loaded. The LEDs will flash as shown at right.
4. Once the system restarts, switch the CPU mode switch to **RUN**.

CPU Running (Green)

Slow flash: CPU OK

On: CPU starting

Major Alarm (Red)

On: Major alarm present

Off: Major alarm not present

Minor Alarm (Red)

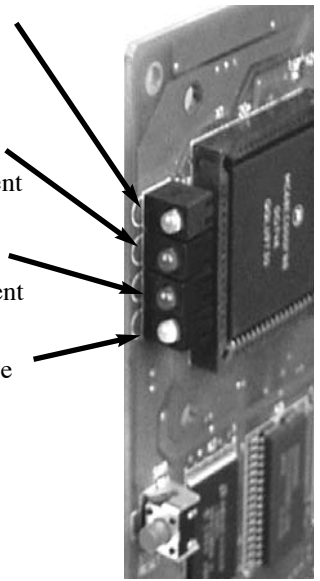
On: Minor alarm present

Off: Minor alarm not present

RS-232 Port (Yellow)

Flashing: RS-232 port active

Off: RS-232 idle



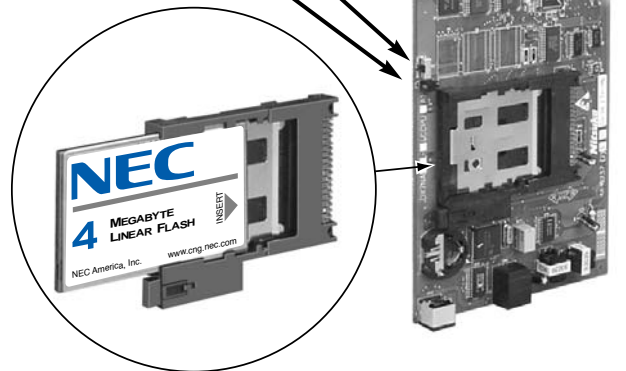
Restoring Site Data

To use PC Card P/N 85880 to restore site data:

1. Insert PC Card P/N 85880 into the CPU.
2. Be sure the CPU mode switch is set to **RUN**.
3. Enter the programming mode.
ICM + ##* + 372000 + HOLD*
4. Dial 9907 + HOLD.
You see: START?
5. Dial Y + HOLD.
You see the name and date of the first database stored. If no data bases are stored, you see:
9907: DB00 (empty)
6. Press VOL ▲ or VOL ▼ to scroll through the 16 database addresses (DB 00 through DB 15) and select the one you want to restore.
7. When the database you want to restore displays, press HOLD.
The PC Card Active LED is on during restore.
The system will automatically reset when the restore completes.

Mode Switch

PC Card Active LED



NEC

NEC Unified Solutions, Inc.
4 Forest Parkway, Shelton, CT 06484
TEL: 203-926-5400 FAX: 203-929-0535
www.necunifiedsolutions.com



85880INS06

April 13, 2004
Printed in U.S.A.